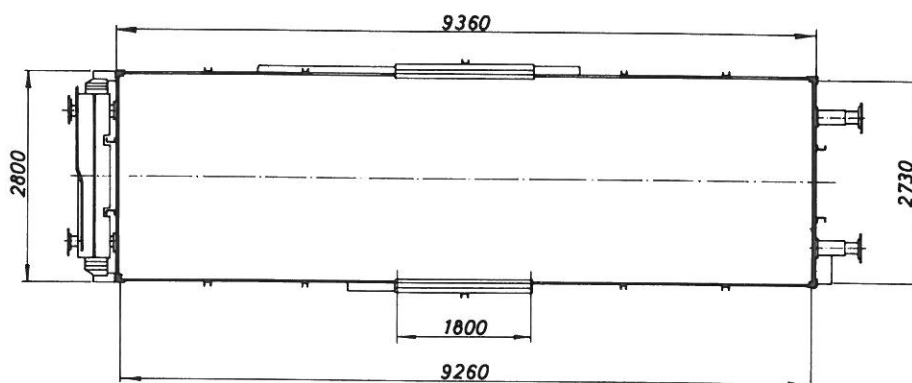
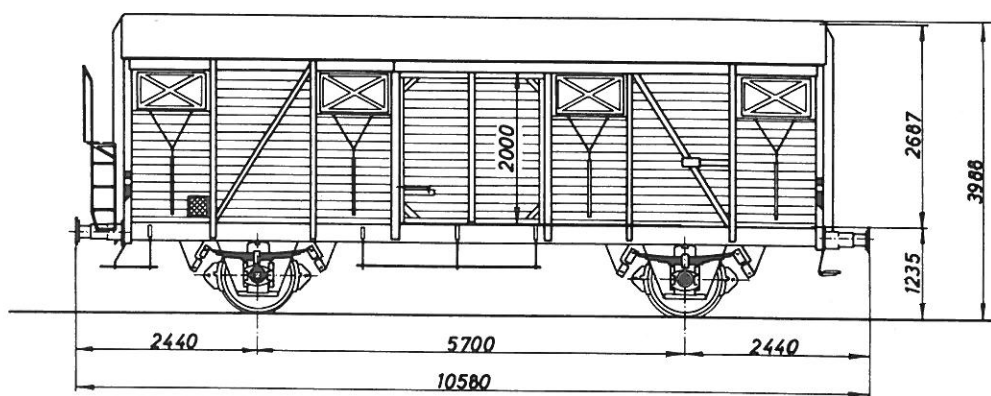


· Gs 120 1 000 - 120 1 881
RIV - EUROP



1954/58 Scandia

	A	B	C
	20,0t	23,5t	26,0t
S	20,0t	20,0t	

Tara: ca. 12,0 t
 Bundflade 25,2 m²
 Rumindhold: 63,0 m³
 Maks. hast.: 100 km/t